

Shrouded Latch Filter Plates

Shrouded Latch Filter Plates are an effective method for combining an electronic interface and EMI solution in one package. The Shrouded Latch incorporates the Bolt-in concept filter plate with the latching feature of popular ribbon cable headers. This product is available in pin counts of 10 through 64 positions. The latch is available in a variety of standard heights.

The Shrouded Latch Filter Plate is ideal for securing and protecting the filter element from exposure to mechanical shock and vibration which could loosen the cable interface.

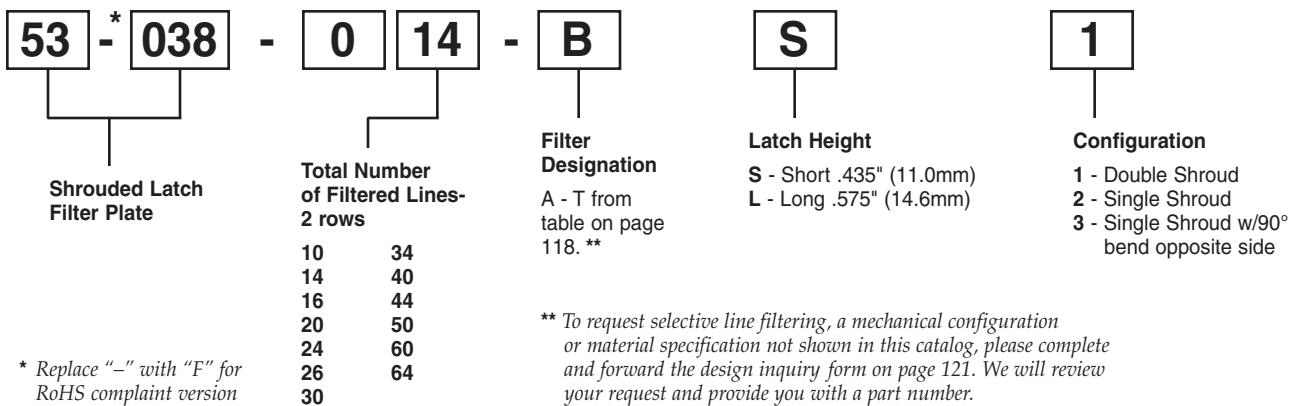
Shrouded Latch Filter Plate Advantages

- Available in 10 to 64 positions
- Mates to most ribbon cable connectors
- Variety of latch ejector heights available
- Pins on .100" centers
- Reliable cable retention for high vibration applications
- Mixed capacitance values and schematics available
- Excellent filtering from 5 MHz to 1 GHz and beyond
- Shroud protects filter elements from potential damage
- Available in RoHS compliant versions

Ordering Information

Example: 53-038-014-B S 1

The part number shown represents a shrouded latch filter plate with 14 filtered lines. Filters are C style with a capacitance value of 100pF. The plate has a short latch height and double shroud configuration.



Mechanical Specifications

Base Plate

Material Brass UNS
C26000/C27000

Base Plate

Thickness040" (1.0mm)

Plating Tin,
RoHS version will be silver

Shrouded Material Thermoplastic
Polyester UL94V-0

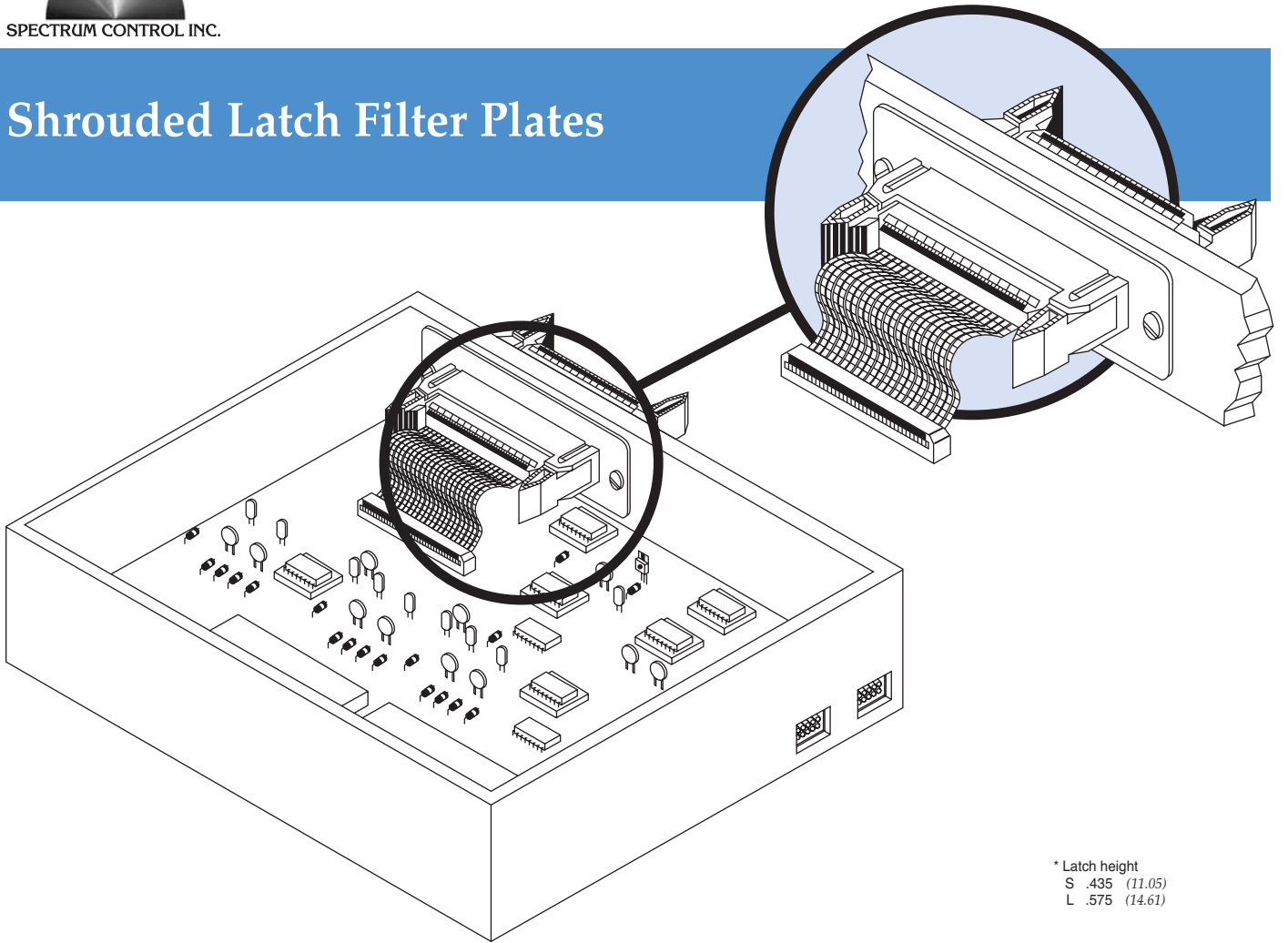
Lead Material Copper alloy

Lead Plating Gold plate

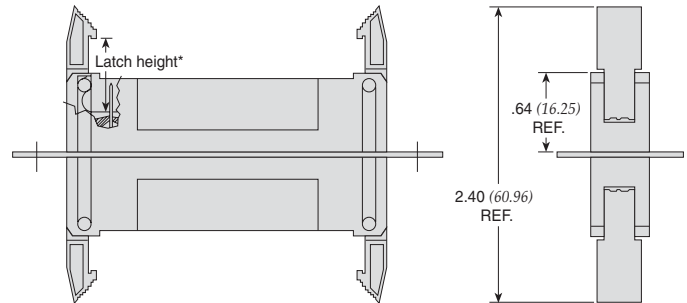
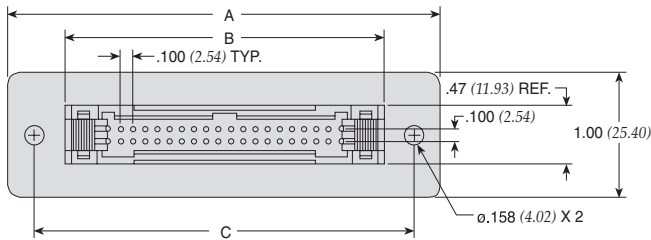
Lead Diameter ϕ .025" (0.6mm)

Current Rating 5 Amps

Shrouded Latch Filter Plates



* Latch height
 S .435 (11.05)
 L .575 (14.61)



Part Number	Number of Circuits	A		B		C	
		in	(mm)	in	(mm)	in	(mm)
53-038-010-XXX*	10	2.00	(50.8)	1.10	(27.9)	1.58	(40.1)
53-038-014-XXX	14	2.20	(55.9)	1.30	(33.0)	1.78	(45.2)
53-038-016-XXX*	16	2.30	(58.4)	1.40	(35.6)	1.88	(47.8)
53-038-020-XXX*	20	2.50	(63.5)	1.60	(40.6)	2.08	(52.8)
53-038-024-XXX	24	2.70	(68.6)	1.80	(45.7)	2.28	(57.9)
53-038-026-XXX	26	2.80	(71.1)	1.90	(48.3)	2.38	(60.5)
53-038-030-XXX	30	3.00	(76.2)	2.10	(53.3)	2.58	(65.5)
53-038-034-XXX	34	3.20	(81.3)	2.30	(58.4)	2.78	(70.6)
53-038-040-XXX*	40	3.50	(88.9)	2.60	(66.0)	3.08	(78.2)
53-038-044-XXX	44	3.70	(94.0)	2.80	(71.1)	3.28	(83.3)
53-038-050-XXX*	50	4.00	(101.6)	3.10	(78.7)	3.58	(90.9)
53-038-060-XXX	60	4.50	(114.3)	3.60	(91.4)	4.08	(103.6)
53-038-064-XXX*	64	4.70	(119.4)	3.80	(96.5)	4.28	(108.7)

* Indicate standard sizes

Dimensions in inches (mm)