

# Filtered Combo D-Subminiature Connectors



Spectrum's line of filtered combo D-subminiatures provide high insertion loss with tubular capacitive filtering. These connectors are available with 20 Amp power contacts, 40 Amp power contacts, 50 ohm coaxial contacts or 75 ohm coaxial contacts. Configurations include male and female versions with straight PC terminals, right angle PC terminals or solder cup terminals. Standard D-sub shell sizes provide intermateability with unfiltered connectors. High strength epoxy potting protects ceramic elements.

Capacitive filtering is available in 470, 820, 1000 and 1500 pF. Additional capacitance ranges and configurations can be provided upon request. Please consult factory for more information.

## Applications

- Telecommunications base station equipment
- Switching and transmission equipment
- Power supplies
- Industrial equipment
- Computer work stations

## Mechanical Specifications

Shell	Steel, tin plated
Power Contacts	Brass, gold plated .000030 in. (0.762 μm) minimum
Signal Contacts	Pin: brass, gold plated .000015 in. (0.762 μm) min. Socket: copper alloy, gold plated .000030 in. (0.762 μm) min.
Insulator	Glass-filled polyester, flammability UL94V-0
Operating Temperature	-55°C to +125°C
Capacitors	Proprietary barium titanate ceramic formulations or high voltage MLCC

## Electrical Specifications

Operating Voltage	200 VDC
Current Rating*	40 Amp power/ 5 Amp signal
Insulation Resistance	1 Gohm at 100 VDC
Capacitance	470, 820, 1000, 1500, or 4000 pF (FT only) ±20% (10 - 5000 pF available for signal pins, consult factory for part number on values above 1500 pF and below 470 pF)

Dielectric Withstanding Voltage	600 VDC
---------------------------------	---------

\*30 Amp available. Consult factory.

## Ordering Information

Example: **563A03W3101GBL9**



- A: Pin - PCB Power
- B: Pin - Right Angle Power
- C: Pin - Solder Cup Power
- D: Pin - PCB Coax
- E: Pin - Right Angle Coax
- F: Pin - Solder Cup Coax
- G: Socket - PCB Power
- H: Socket - Right Angle Power
- J: Socket - Solder Cup Power
- K: Socket - PCB Coax
- L: Socket - Right Angle Coax
- M: Socket - Solder Cup Coax
- N: Custom Combination

### Contact Arrangement

- 03W3 = 3W3
- 05W5 = 5W5
- 09W4 = 9W4
- 24W7 = 24W7

### Capacitance Value

- Tubular**
- 101 = 470 pF
- 102 = 820 pF
- 103 = 1000 pF
- 104 = 1500 pF
- MLCC**
- 201 = 470 pF
- 202 = 820 pF
- 203 = 1000 pF
- 204 = 1500 pF

### Options

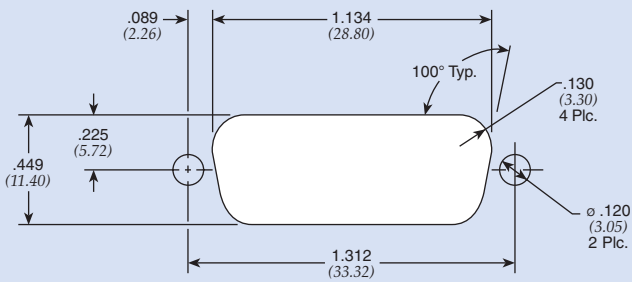
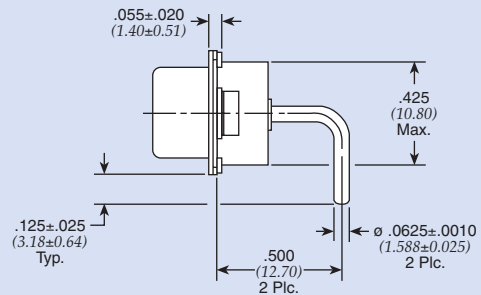
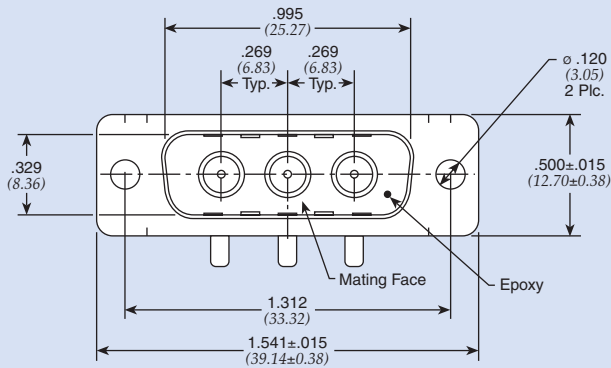
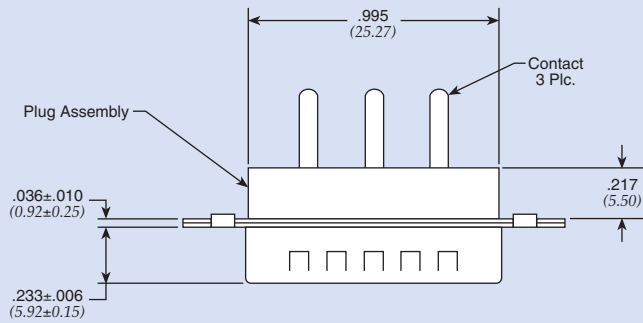
- See options descriptions on page 172 add suffix ending
- LI = 4-40 UNC inserts
  - LIM = Metric M3.0 self-locking threads
  - GB = Metal bracket provides ground connection, includes 4-40 self-locking threads (for right angle mount only)
  - GBL = Grounded board lock (right angle)
  - GBL6 = for .062" boards (straight PCB mount)
  - GBL9 = for .093" boards (straight PCB mount)
  - 50G = 50 μ (1.27 μm) gold plating
  - S = Solder dipped tails
  - JS = Jackscrew mounting
- For option combinations, consult factory.

\* Insert "F" for RoHS compliant

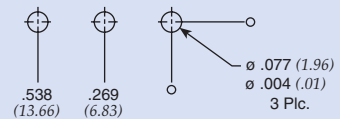


# Filtered Combo D-Subminiature Connectors 3W3

## Plug - Right Angle



Recommended Panel Cutout

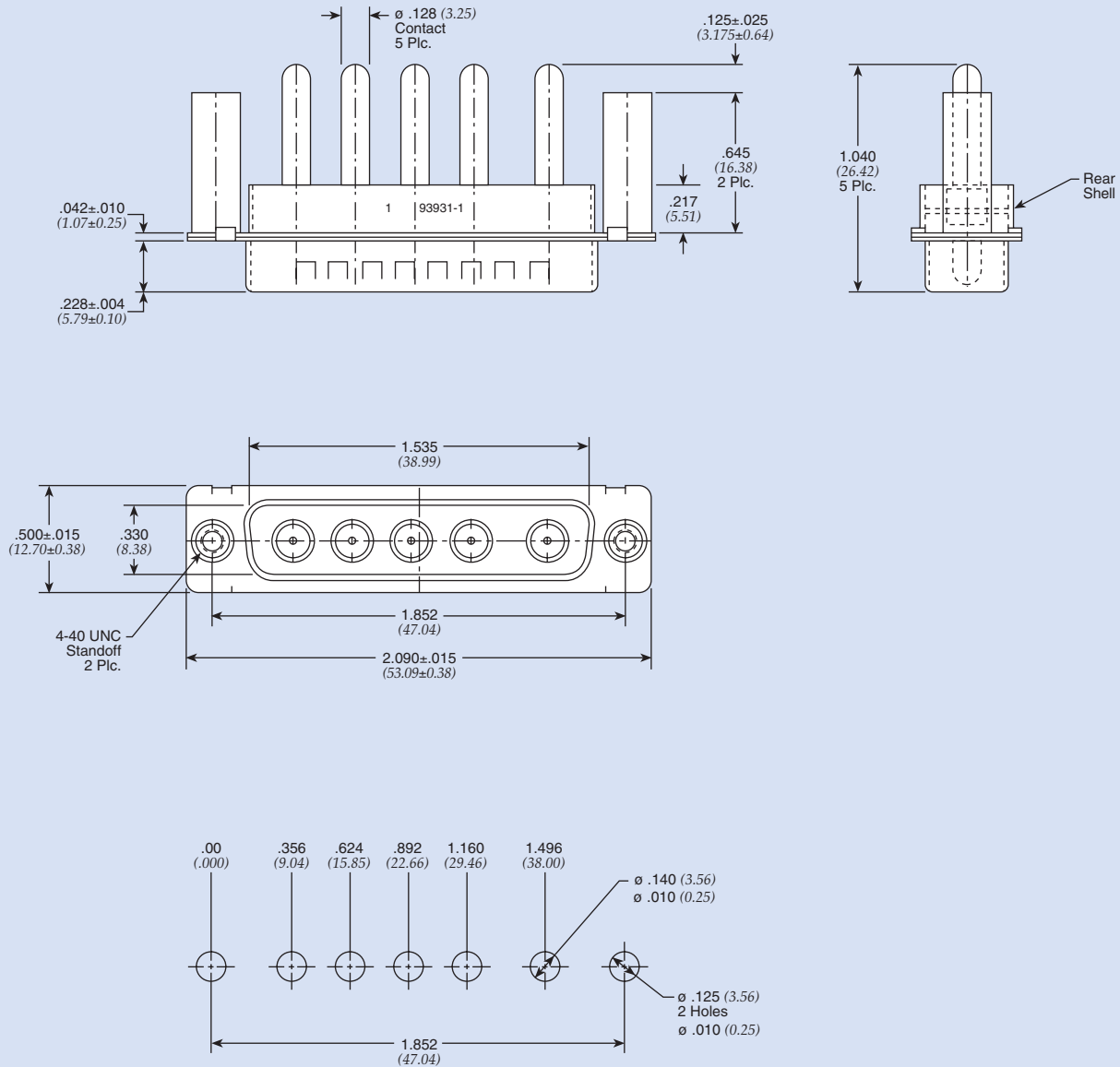


Only represents a few of our available configurations. Consult factory for more information.

Dimensions in inches (mm)

# Filtered Combo D-Subminiature Connectors 5W5

## Plug - Vertical



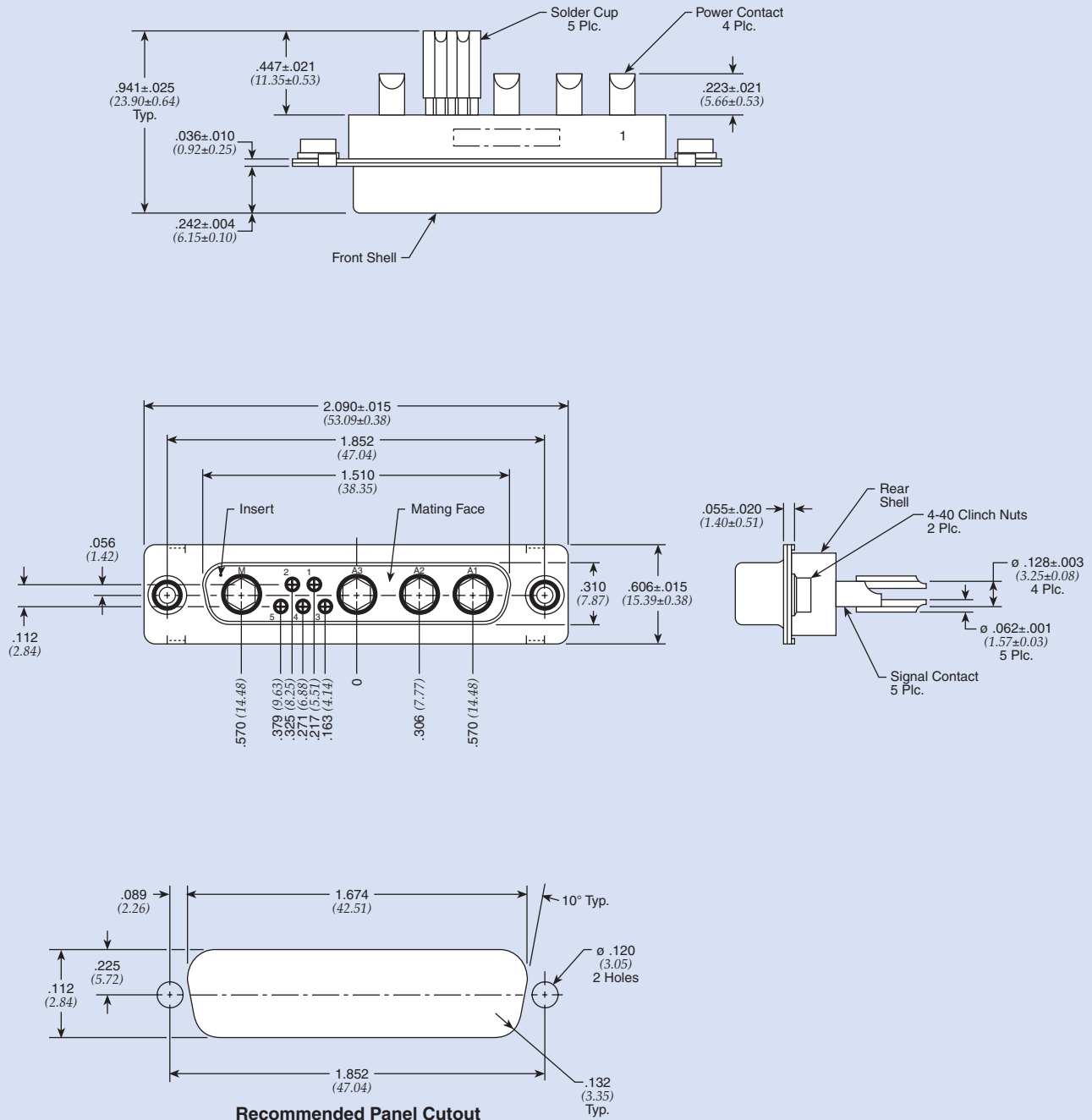
Recommended PCB Layout

Only represents a few of our available configurations. Consult factory for more information.

Dimensions in inches (mm)

# Filtered Combo D-Subminiature Connectors 9W4

## Socket - Solder Cup

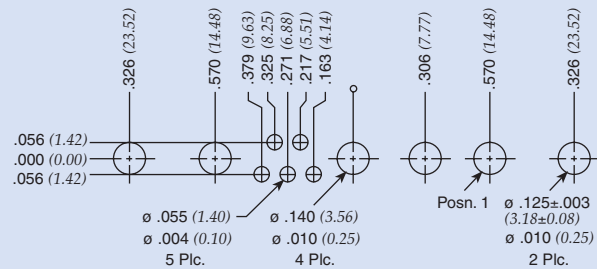
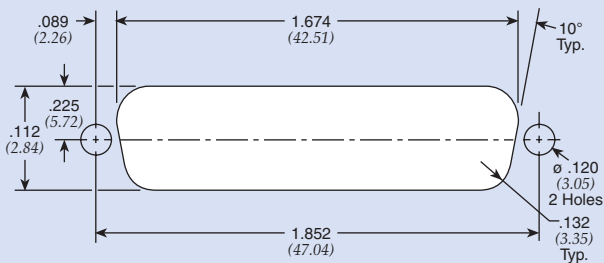
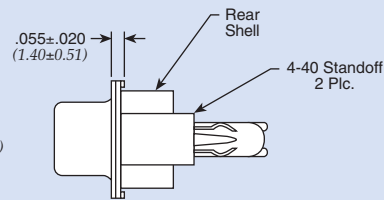
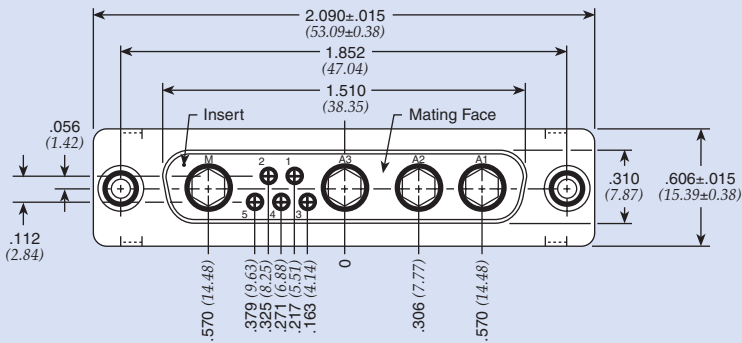
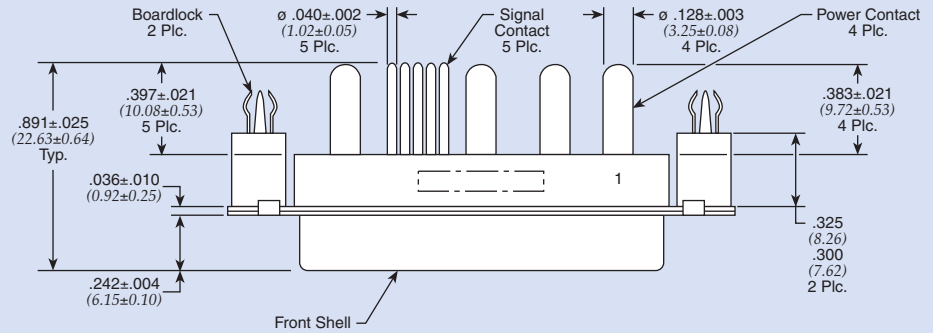


Only represents a few of our available configurations. Consult factory for more information.

Dimensions in inches (mm)

# Filtered Combo D-Subminiature Connectors 9W4

## Socket - Vertical

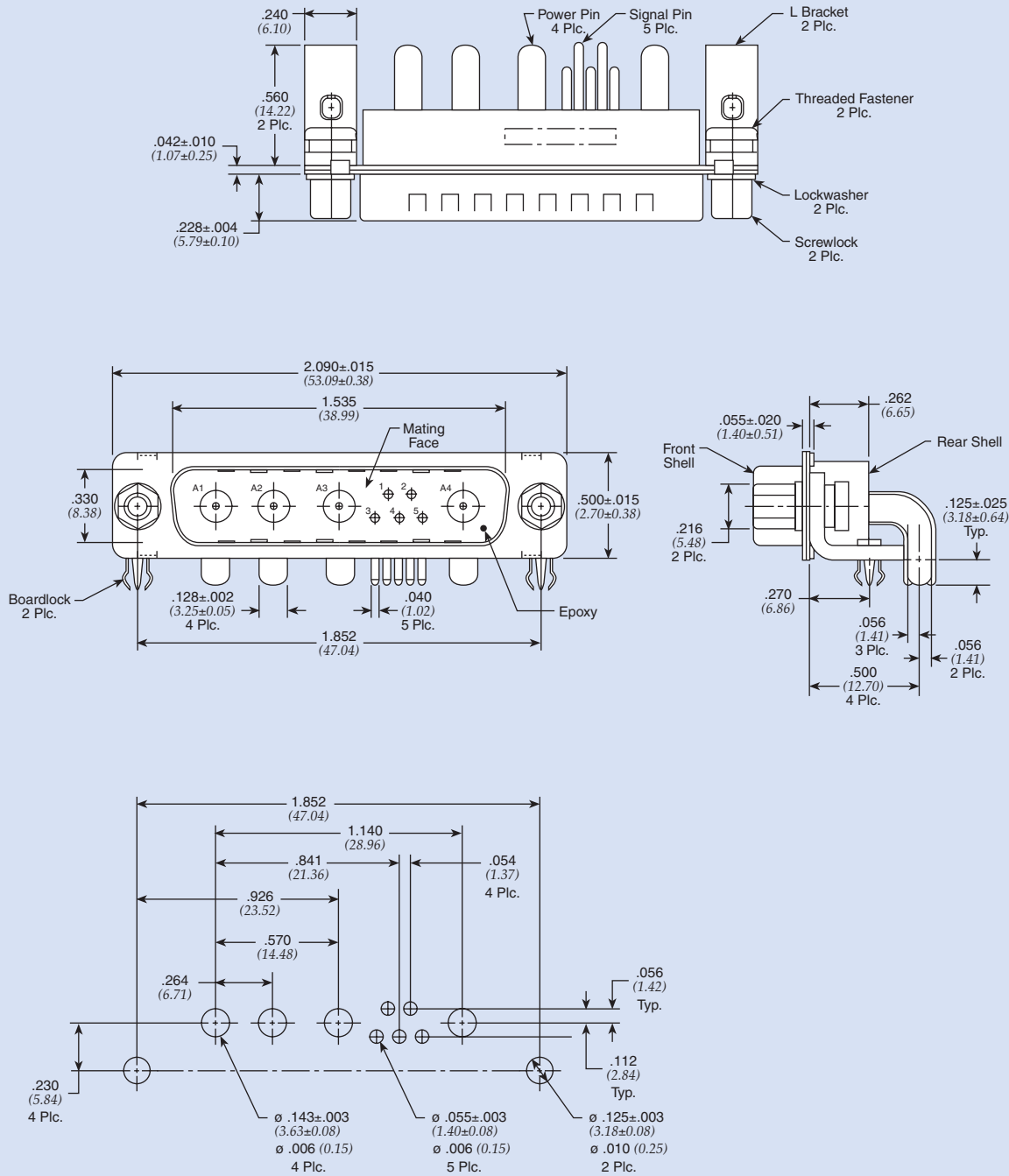


Only represents a few of our available configurations. Consult factory for more information.

Dimensions in inches (mm)

# Filtered Combo D-Subminiature Connectors 9W4

## Plug - Right Angle



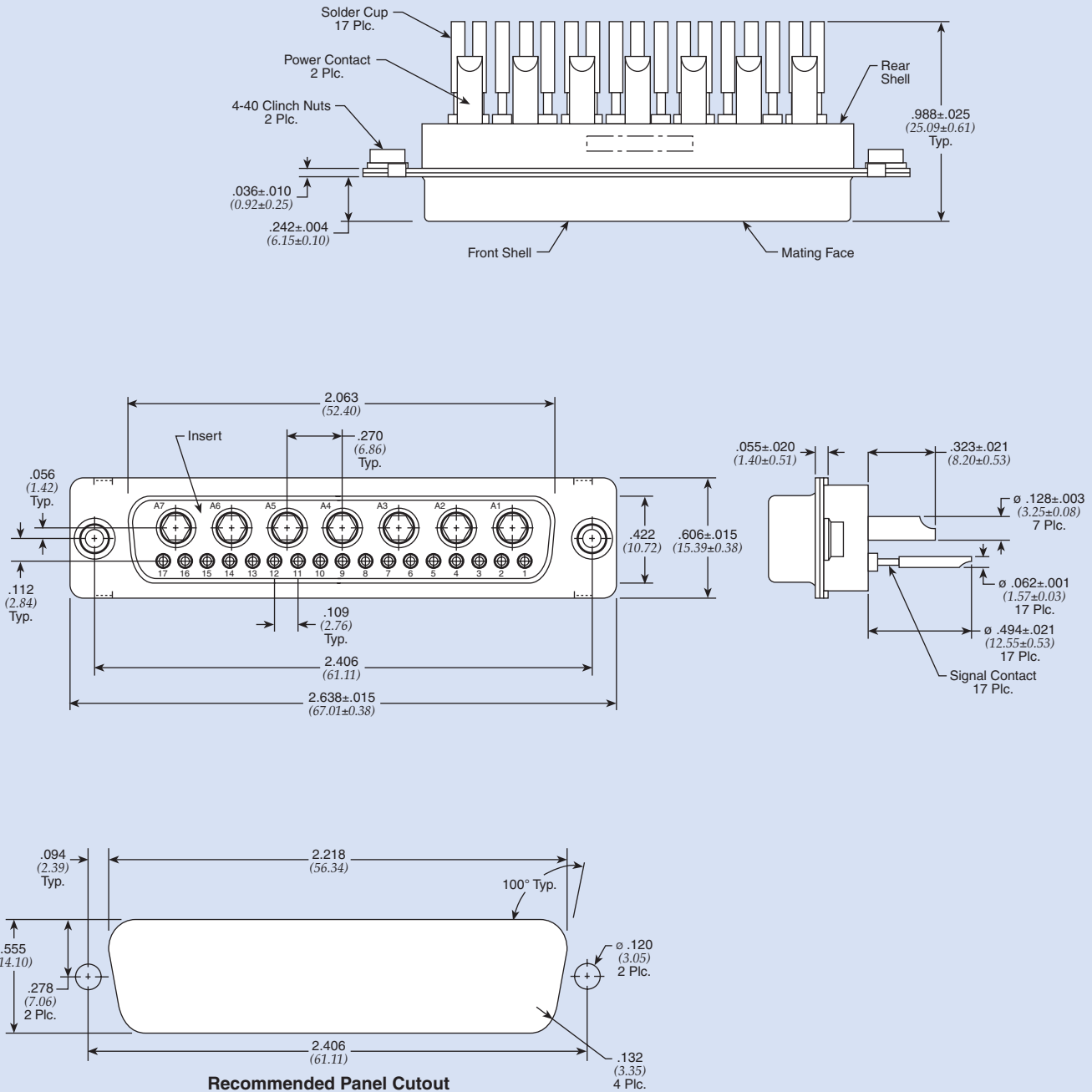
**Recommended PC Board Mounting Dimensions**

Only represents a few of our available configurations. Consult factory for more information.

Dimensions in inches (mm)

# Filtered Combo D-Subminiature Connectors 24W7

## Socket - Solder Cup



Only represents a few of our available configurations. Consult factory for more information.

Dimensions in inches (mm)